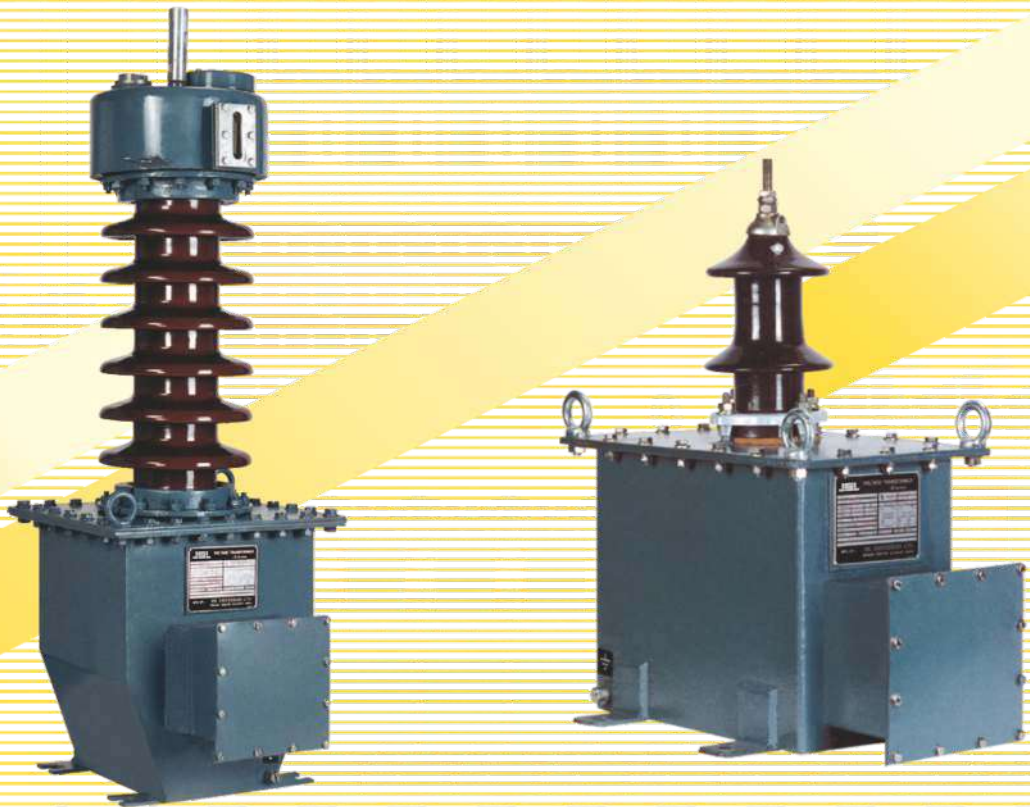




JSL INDUSTRIES LTD.

Voltage Transformer
(Outdoor)

Upto 33 kV



- Oil / Paper Insulated, or Dry Type ● Compact Design
- High Mechanical and Dielectric properties
- Complying with IS : 16227 / IEC 61869



ISO 9001 : 2015

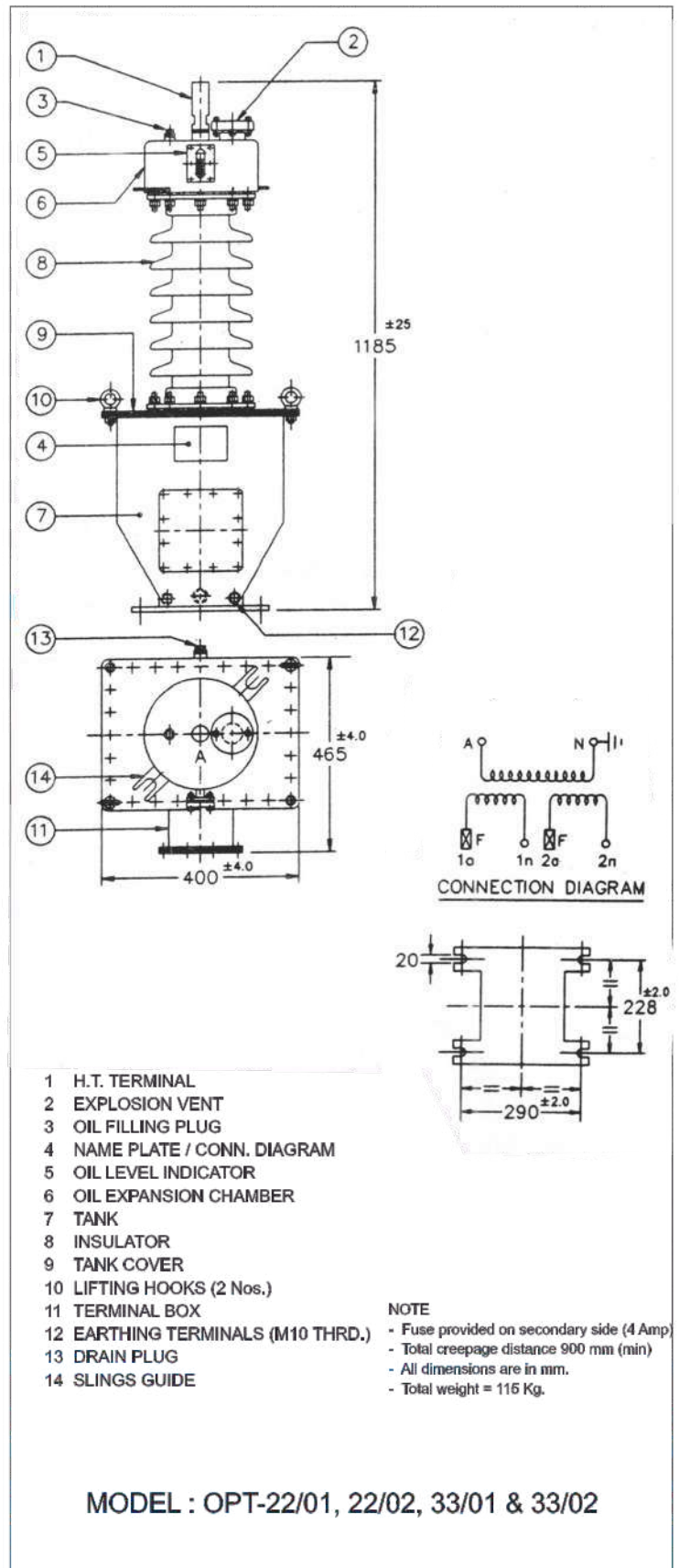
**PIONEER IN THE FIELD
OF INSTRUMENT
TRANSFORMER**

"JSL" Oil Cooled Voltage Transformer for Outdoor Installation to Meet the Growing Industrial Demand for Reliable Measurement of Power and Protection of Distribution System upto 33 kV Rating

The reliability of Voltage Transformer is very crucial and of prime importance in Switchgear. The cost of Voltage Transformer is relatively very low compared to that of entire switchgear but the whole system depends on the performance of Voltage Transformer for measurement and its protection. Maximum two secondary windings can be provided to meet the requirements of metering and protective class. As an option, Voltage Transformers can also be supplied filled with Nitrogen Nitrogen Gas over the top of oil. Dual ratio may also be offered on request, which can be obtained by secondary tapping method.

CONSTRUCTION AND DESIGN FEATURES :

- Voltage Transformer is of single pole design and earthing of terminal 'N' is a must.
- Use of best quality cores to achieve maximum accuracy.
- H.V. & L.V. Windings accommodated in the tank at bottom, which is at earth potential.
- Use of porcelain bushing suitable for heavily polluted atmosphere.
- Easy accessibility of L.V. Terminals.
- Oil / paper insulation for better reliability.
- Metal parts treated for corrosion resistance against atmosphere.
- Secondary Terminal box tested for IP 55.
- Wind pressure test carried out at 200 kg/m.sq.



TECHNICAL SPECIFICATIONS

Sr. No.	Model	Voltage			Maximum Rated Burden (VA) Accuracy Class		Voltage Factor	Remarks
		Primary kV	Secondary V	Tertiary V	Secondary	Tertiary		
1	OPT-22/01	22/√3	110/√3	110/√3	100/0.5 or 200/1	50/3P or 6P	1.2 Cont. & 1.5 for 30 sec.	Measuring & Protection
2	OPT-22/02	22/√3	110/√3	110/√3	200/0.5 or 400/1	100/3P or 6P	1.2 Cont. & 1.9 for 8 hrs.	Measuring & Protection
3	OPT-33/01	33/√3	110/√3	110/√3	100/0.5 or or 20/1	50/3P or 6P	1.2 Cont. & 1.5 for 30 sec.	Measuring & Protection
4	OPT-33/02	33/√3	110/√3	110/√3	200/0.5 or or 400/1	50/3P or 6P	1.2 Cont. & 1.9 for 8 hrs.	Measuring & Protection

Designed in accordance with latest IS-16227 / IEC - 61869.

Rating and specifications other than those mentioned above can also be offered on request.

We are also one of the leading suppliers for 25KV Outdoor Voltage Transformers as per RDSO Specifications for RAILWAYS.

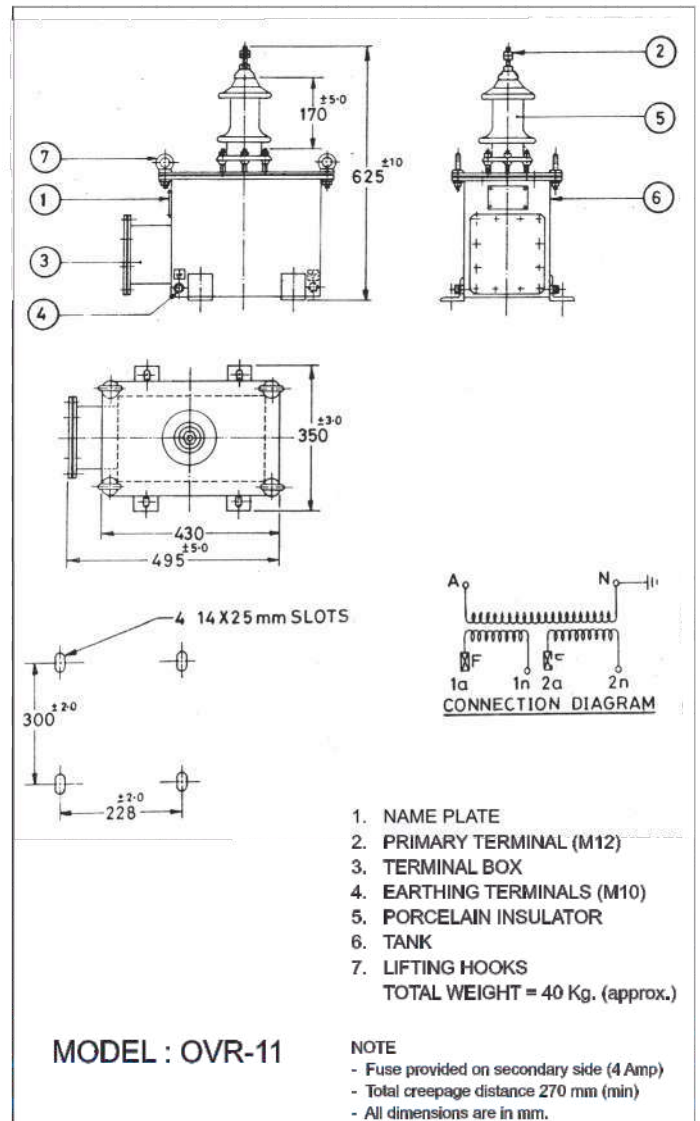
'JSL' DRY TYPE VOLTAGE TRANSFORMERS :

We also offer DRY TYPE (oilless design) voltage transformers upto 11KV for outdoor applications in model OVR 11. The resin cast voltage transformer is housed in a hermetically sealed metal tank with H.V. Terminal taken out through the porcelain insulator. The other end of H.V. Winding (N-Terminal) alongwith the terminals of secondary Windings are brought out to L.V. terminal box for easy accessibility.

CONSTRUCTION AND DESIGN FEATURES :

- Epoxy Resin / Porcelain Insulation offers great reliability.
- Compact design.
- No fear of oil leakage over a period of time.
- Sturdy construction eliminates transit damages.
- Permits replacement of internal parts at site.

The design has been successfully tested for all routine/type tested as per latest IS : 16227 / IEC - 61869. These Voltage Transformers are supplied and commissioned by Major OEMs / SEBs and are working satisfactorily over many years.



TECHNICAL DETAILS REQUIRED ALONGWITH ENQUIRY / ORDER

- ☛ Application : Outdoor / Oil-Cooled or dry type.
- ☛ Rated Transformation Ratio
- ☛ No. of Secondary Windings.
- ☛ Rated burden in VA for each secondary.
- ☛ Rated Accuracy class for each secondary.
- ☛ Rated Voltage factor and duration.
- ☛ Highest System Voltage in kV.
- ☛ Basic Insulation level in kV.
- ☛ Insulation Class.
- ☛ Special requirement, if any

OTHER INSTRUMENT TRANSFORMER PRODUCTS

- 245 kV Outdoor Instrument Transformer
- 66 kV Out-door Instrument Transformer
- 33 kV Out-door Current Transformer
- 25 kV Out-door Current Transformer for Railways
- Cast Resin Indoor type Instrument Transformers for Voltage ratings upto 33 kV.
- 11 kV CT-PT combined metering units.



**FOR FURTHER ENQUIRIES
PLEASE CONTACT**

JSL INDUSTRIES LIMITED

Village Mogar-388 340
Tal. & Dist. Anand, (Gujarat) (India)
Phones : 02692 - 280224
Mobile : 9824889399
E-Mail : jsl@jسلمogar.com
Website : www.jسلمogar.com

ZONAL & BRANCH OFFICES

- **Jaipur** : C/7, .Annapurna. B/h. Dundlod House, Shiv Marg, Hawa Sarak, Civil Lines, Jaipur-302 019, TeleFax : 0141-2211575, Mobile : 9352763720, E-mail : jaipur@jسلمogar.com
- **Lucknow** : Allia Cottage, opp. Leela Hotel 119/76, Kandhari Bazar, Lucknow-226001(UP). TeleFax:0522-2626393, Mobile : 9335411076, E- mail: lucknow@jسلمogar.com
- **Mumbai** : 102, Narsinha Sadan, 1st Road, Golibar, Santacruz (E) Mumbai-400 055. Ph. : 022-26134403, 26122848, Fax : 022-26100717, Mobile : 9322894461, E-mail: mumbai@jسلمogar.com
- **Delhi** : 7, Jantar Mantar Road, 1st Floor, New Delhi-110 001, Ph. :011-23340205, Fax : 011-23340457, Mobile : 9868554076, E-mail : delhi@jسلمogar.com

In Keeping with the technological strides the world is making in the engineering field, we introduce changes in the design of our products. Hence, the products as actually supplied might have features varying herefrom.