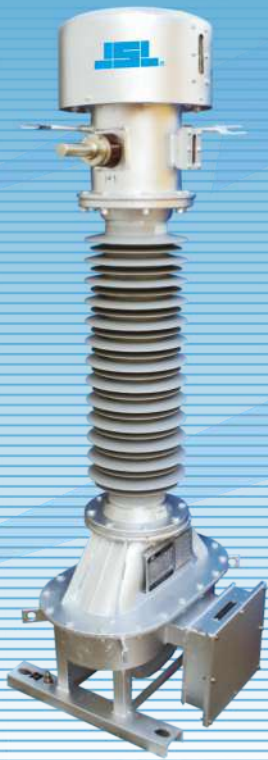




JSL INDUSTRIES LTD.

Instrument Transformer 66 kV (Outdoor)



Current Transformer



Voltage Transformer

- Oil Cooled and Suitable for Outdoor Applications
- Meet the Growing Industrial Demand for Reliable Measurement of Power and Protection of Distribution Systems upto 66kV Ratings.
- Complying with IS : 16227 / IEC 61869



ISO 9001 : 2015

**TIME TESTED
TYPE TESTED**

"JSL" Instrument Transformers- Oil Cooled and Suitable for Outdoor Applications - Meet the Growing Industrial Demand for Reliable Measurement of Power and Protection of Distribution Systems upto 66kV Ratings.

The reliability of the Instrument Transformers i.e. CTs / VTs is very crucial and of prime importance in 66 kV.

UNIQUE DESIGN FEATURES

- Oil / Paper Insulation.
- High Insulation reliability (achieved through optimum capacitance grading by insulating paper of high dielectric strength).
- Metal parts treated for corrosion resistance
- Use of porcelain bushings suitable for heavily polluted atmosphere.
- Easy accessibility to L.V. Terminals
- Successfully tested for all type test and special design tests at NABL accredited laboratory.
- Provision of test tap for measurement of tan delta and capacitance.

CONSTRUCTION FEATURES OF CTs

- Use of high grade silicon / nano cores to offer high accuracy class.
- Winding and insulation with automatic winding machine.
- Provision of low instrument security factor (FS)
- 'Deadtank' type CT design.
- Single turn or multi turn provisions to get desired output.
- Oil impregnation under controlled conditions to achieve required insulation level and thereby reliability
- Tested as per IS : 16227 / IEC : 61869
- Available with porcelain / polymer housed insulator

TECHNICAL SPECIFICATIONS :

Ratio	: Upto 1600 / 5 or 1 Amp.
Accuracy	: Class As Required
Burden	: As Required
Short Time Thermal Current	: Upto 31.5 kA/3 Sec.
Basic Insulation Level	: 72.5 / 140 / 350 kV
Creepage Distance	: 1810 mm or Customer requirement
No. of Secondary Cores	: 5 Nos. (Max)

CONSTRUCTION FEATURES OF VTs

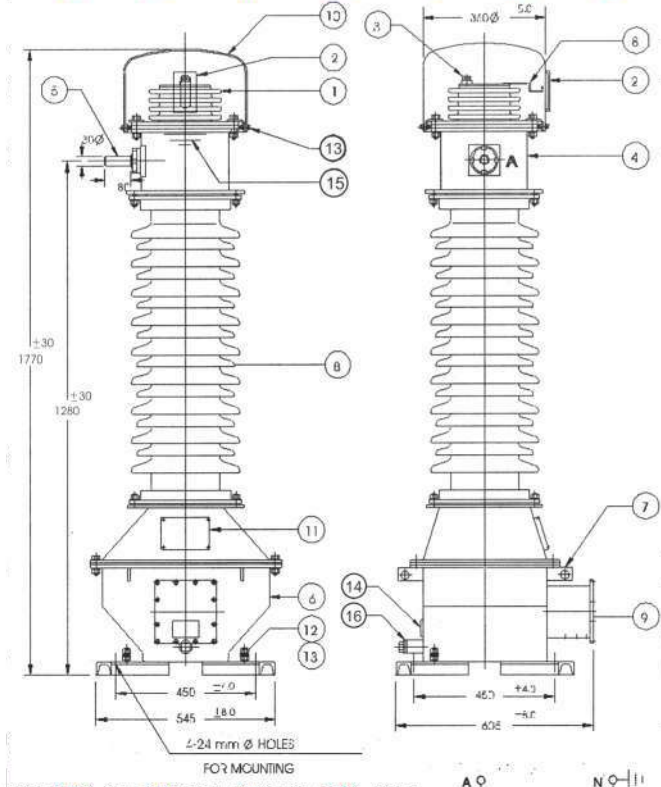
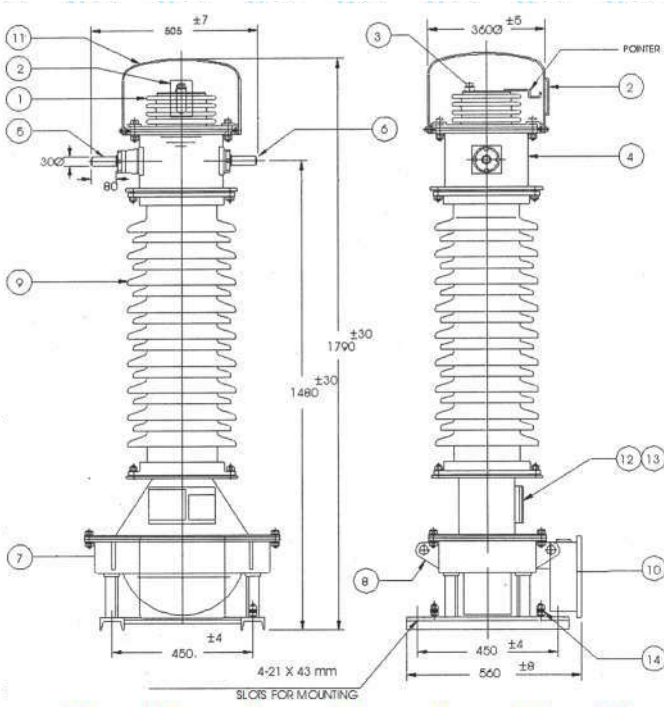
- Use of high grade silicon stampings to offer high accuracy class.
- Winding & insulation with high automatic winding machine
- 'Deadtank' type VT design.
- Single pole design & earthing of terminal 'N' is must
- Oil impregnation under controlled conditions to achieve required insulation level and thereby better reliability
- Tested as per IS : 16227 / IEC : 61869
- Available with porcelain housed insulator

TECHNICAL SPECIFICATIONS :

Ratio	: Upto 66000 $\sqrt{3}$ // 110 $\sqrt{3}$
Accuracy Class	: As Required
Burden	: As Required
V.F.	: upto 1.2 Continuous / 1.9 for 8 Hrs.
Basic Insulation Level	: 72.5 / 140 / 350 kV
Creepage Distance	: 1810 mm or Customer requirement
No. of Secondary Cores	: 3 Nos. (Max)

**GENERAL ARRANGEMENT OF 66kV OIL FILLED
OUT DOOR CURRENT TRANSFORMER
TYPE : OCT-66**

**GENERAL ARRANGEMENT OF 66kV OIL FILLED
OUT DOOR VOLTAGE TRANSFORMER TYPE :
OPT-66**



NOTE :

Total Weight : 220 Kg (Approx)
Oil : 50 Liters (Approx)
Total Creepage Distance : 1810 mm. (min.)

NOTE :

Total Weight : 240 Kg. (Approx.)
Oil : 55 Liters (Approx.)
Total Creepage Distance : 1810 mm. (min.)

Sr. No.	PART NAME
1.	Expansion Bellows
2.	Glass Window for S.S. Bellows
3.	Oil Filling Plug
4.	Oil Expansion Chamber
5.	P1 - Terminal
6.	P2 - Terminal
7.	Dead Tank
8.	Lifting Hooks
9.	Insulator
10.	Terminal Box
11.	Top Cover
12 & 13.	Name Plate / Connection Diagram
14.	Earthing Terminals

Sr. No.	PART NAME
1.	Expansion Bellows
2.	Glass Window for S.S. Bellows
3.	Oil Filling Plug
4.	Oil Expansion Chamber
5.	H. T. Terminal
6.	Tank
7.	Lifting Hooks
8.	Insulator

Sr. No.	PART NAME
9.	Terminal Box
10.	Top Cover
11.	Name Plate
12.	Earthing Terminals
13.	Cheese Head Screw
14.	Caution Lable
15.	Transformer Oil
16.	Oil Drain Plug

TECHNICAL DETAILS REQUIRED ALONGWITH ENQUIRY / ORDER

- ☛ Highest System Voltage in kV
- ☛ Rated Insulation Level in kV
- ☛ Rated Transformation Ratio.
- ☛ No. of Secondary windings.
- ☛ Rated burden in VA for each secondary winding
- ☛ Accuracy class of each secondary winding
- ☛ FS (max.) in case of metering core*
- ☛ In case of special protection class (Px-class)*
 - Knee point Voltage (min.) E_k in volts.
 - Secondary Resistance (max.) R_{ct} in ohms at $75^{\circ}c$ or formula for specified relay operation.
 - Excitation Current (max.) I_{ex} in mA at E_k or at part of E_k
- ☛ Class of Insulation
- ☛ Rated short time thermal current & duration*
- ☛ Other Special requirement, if any

* for CTs only.

INSTRUMENT TRANSFORMER

- CTs & PTs with porcelain / polymer housed insulator
- 33 kV Out-door Instrument Transformer
- 25 kV Out-door CTs and PTs for Railways
- Cast Resin Indoor type Instrument Transformers for Voltage ratings upto 33 kV.
- 11 kV CT-PT combined metering units.
- Cast Resin Components for Switchgears



FOR FURTHER ENQUIRIES
PLEASE CONTACT

JSL INDUSTRIES LIMITED

Village Mogar-388 340
Tal. & Dist. Anand, (Gujarat) (India)
Phones : 02692 - 280224
Mobile : 9824889399
E-Mail : jsl@jslmogar.com
Website : www.jslmogar.com

ZONAL & BRANCH OFFICES

- **Jaipur** : C/7, .Annapurna. B/h. Dundlod House, Shiv Marg, Hawa Sarak, Civil Lines, Jaipur-302 019, TeleFax : 0141-2211575, Mobile : 9352763720, E-mail : jaipur@jslmogar.com
- **Lucknow** : Allia Cottage, opp. Leela Hotel 119/76, Kandhari Bazar, Lucknow-226001(UP). TeleFax:0522-2626393, Mobile : 9335411076, E- mail: lucknow@jslmogar.com
- **Mumbai** : 102, Narsinha Sadan, 1st Road, Golibar, Santacruz (E) Mumbai-400 055. Ph. : 022-26134403, 26122848, Fax : 022-26100717, Mobile : 9322894461, E-mail: mumbai@jslmogar.com
- **Delhi** : 7, Jantar Mantar Road, 1st Floor, New Delhi-110 001, Ph. :011-23340205, Fax : 011-23340457, Mobile : 9868554076, E-mail : delhi@jslmogar.com

In Keeping with the technological strides the world is making in the engineering field, we introduce changes in the design of our products. Hence, the products as actually supplied might have features varying herefrom.