



JSL INDUSTRIES LTD.

**Current Transformer
(Outdoor)**

Upto 33 kV



- Oil / Paper Insulated or Dry Type
 - Compact Design
- High Mechanical and Dielectric properties
- Complying with IS 16227 / IEC 61869



ISO 9001 : 2015

**PIONEER IN THE FIELD
OF INSTRUMENT
TRANSFORMER**

"JSL" Current Transformers- Oil Cooled and Suitable for Outdoor Applications - Meet the Growing Industrial Demand for Reliable Measurement of Power and Protection of Distribution Systems upto 33kV Ratings.

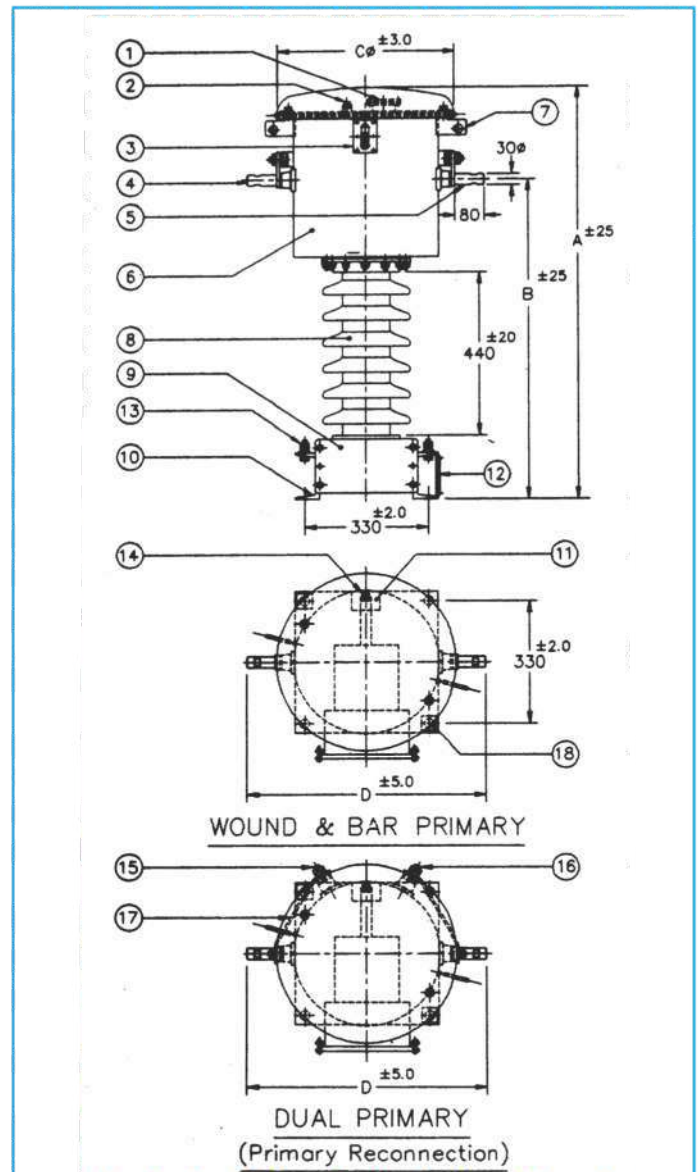
The reliability of the Current Transformer is very crucial and of prime importance in Modern Switchgear. The cost of a CT is relatively low compared to that of the entire switchgear, but the whole system depends on CTs for metering and protection requirements. The unit is Hermetically sealed. The primary rating is available upto 2000 Amps. Multi-ratio Transformation can either be provided by reconnection of primary winding or tapping on secondary winding. Maximum four secondary windings can be provided to meet the requirements of metering, protection and special purpose protective class. Optionally, the CTs can also be supplied with Nitrogen Gas filled on the top of the oil. Higher insulation level can also be offered on request.

CONSTRUCTION AND DESIGN FEATURES

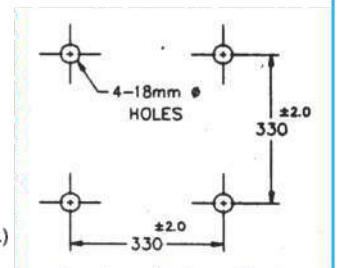
- Oil / Paper Insulation.
- Secondary Terminal Box tested successfully for degree of protection test IP 55.
- High Insulation reliability (achieved through optimum capacitance grading by insulating paper of high dielectric strength).
- Metal parts treated for corrosion resistance
- Use of porcelain bushing suitable for heavily polluted atmosphere.
- Easy accessibility to L.V. Terminals
- Successfully tested for wind pressure test at 200 kg/sq.metre

PROVISION FOR OPTIONAL ACCESSORIES

- Primary Terminal Connectors
- Cable Glands
- Nitrogen Gas filling above Oil level.
- Arcing horns.



- 1 EXPLOSION VENT
- 2 OIL FILLING SCREW
- 3 OIL LEVEL INDICATOR
- 4 P1-TERMINAL
- 5 P2-TERMINAL
- 6 LIVE TANK
- 7 LIFTING HOOK
- 8 INSULATOR
- 9 TERMINAL BOX
- 10 BASE PLATE ASSLY
- 11 CAUTION LABEL
- 12 NAME PLATE
- 13 EARTHING TERMINAL (M12 THRD.)
- 14 DRAIN PLUG
- 15 C1-TERMINAL
- 16 C2-TERMINAL
- 17 RECONNECTION LINK
- 18 EARTHING LABEL



- NOTE :
- All dimension are in mm.
 - Total creepage distance = 900 mm (min)
 - Multi ratio is available by both the methods.
(i.e. Primary reconnection & Taps on secondary)

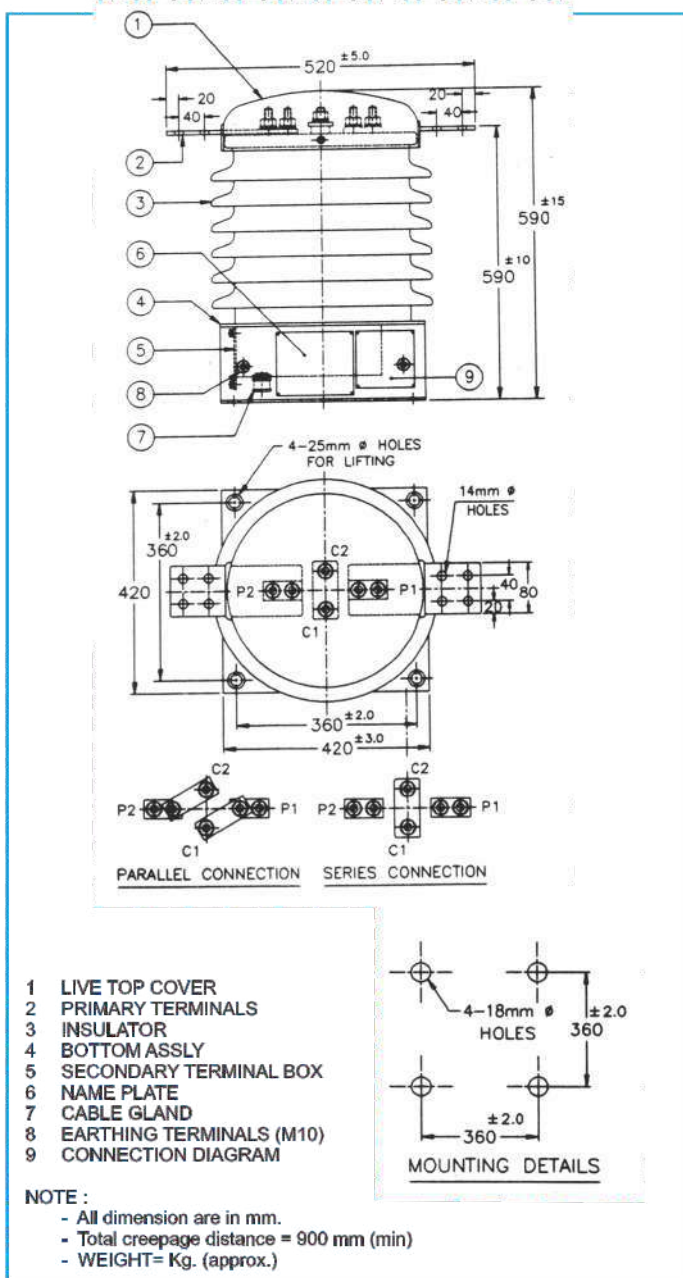
"JSL" CURRENT TRANSFORMER DRY TYPE FOR OUTDOOR APPLICATION-TYPE ORC-33 FOR 33 KV SYSTEM

Now 'JSL' also offers dry type Current Transformers upto 33kV for outdoor applications with superior design features, and improved reliability.

The design has been successfully tested for all the routine/type tests as per latest IS : 16227 / IEC 61869. These have been supplied and commissioned by many reputed OEMS / State Electricity Boards and are working satisfactorily for many years.

DISTINCT FEATURES

- Epoxy Resin / Porcelain insulation offers great reliability.
- Compact design (reduction of height).

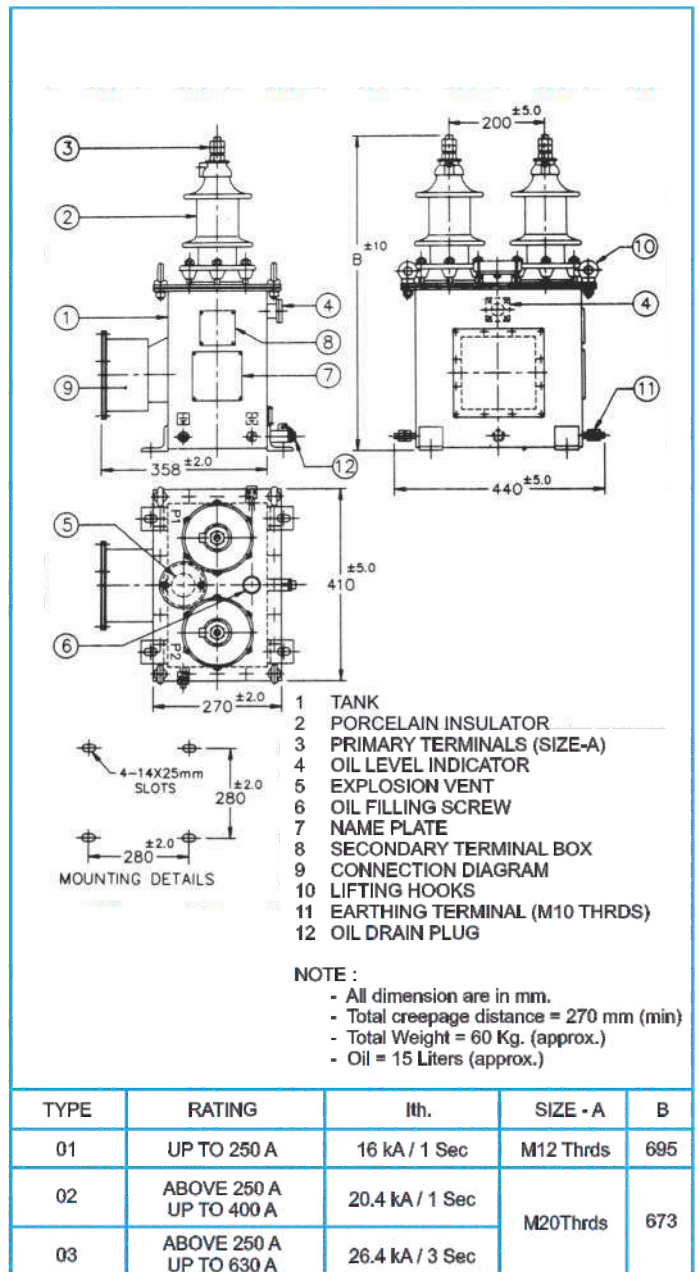


- No fear of oil leakage over a period of time.
- Sturdy construction eliminates transit damages.
- Permits replacement of internal parts at site.

"JSL" CURRENT TRANSFORMERS OIL COOLED FOR OUTDOOR APPLICATION-TYPE OCT-12D FOR 11KV SYSTEM

We also supply above current transformers with following features :

- Compact Design
- Hermetically sealed unit
- Approved by Electricity Boards like MSEB, APSEB etc.
- Can be given with printed or Hot Dip Galvanised Metal Tank.



DIMENSIONAL AND OTHER DETAILS

NO.	MODEL	MAX. RATING		A	B	C	D	WEIGHT IN KG. (APPROX)	OIL IN LITRES
		Ip. Amp.	Ith KA/Sec						
1.	OCT-33AS	600	24.6 / 1	1115	865	476	632	140	35
2.	OCT-33AD	2 X 400		1080	865	426	582	110	27
3.	OCT-33BS	600		1065	865	376	532	90	18
4.	OCT-33BD	2 X 400							
5.	OCT-33CS	600							
6.	OCT-33CD	2 X 400							
7.	OCT-33AB	1250	26.4 / 3	1115	830	476	635	140	35
8.	OCT-33ABS	2000		1080	808	426	585	110	27
9.	OCT-33BB	1250		1065	792	376	535	90	18
10.	OCT-33BBS	2000							
11.	OCT-33CB	1250							
12.	OCT-33CBS	2000							
13.	OCT-33ASM	800		1115	830	476	635	140	40
14.	OCT-33ADM	2 X 600		1150	795	476	635	140	40

All the above models can also be offered for 22 kV.

All the above models are suitable for heavily polluted atmosphere.

A wide range of burdens and class of accuracy can be offered in any of the above mentioned models.

We are one of the leading suppliers for 25kV Outdoor Current Transformers as per RDSO specifications for RAILWAYS

INFORMATION REQUIRED WITH ENQUIRY / ORDER :

- Application : Outdoor / Oil Cooled or dry type
- Highest System Voltage
- Rated Insulation Level
- Rated Transformation Ratio.
- No. of Secondary windings.
- Rated Burden in VA for each secondary winding.
- Class of Accuracy for each secondary winding.
- Rated Short Time Thermal Current with Duration.
- Maximum Instrument Security Factor in case of metering core.
- Class of Insulation.
- In case of special protection (Px Class)
 - Minimum knee point voltage (Ek) in volts.
 - Maximum Secondary winding resistance in Ohms at 75°C.
- OR
- Formula for specified relay operation.
- Maximum excitation current in mA at Ek or at part of Ek
- Special requirement, if any



FOR FURTHER ENQUIRIES PLEASE CONTACT

ZONAL & BRANCH OFFICES

JSL INDUSTRIES LIMITED

Village Mogar-388 340
Tal. & Dist. Anand, (Gujarat) (India)
Phones : 02692 - 280224
Mobile : 9824889399
E-Mail : jsl@jslmogar.com
Website : www.jslmogar.com

- **Jaipur** : C/7, .Annapurna. B/h. Dundlod House, Shiv Marg, Hawa Sarak, Civil Lines, Jaipur-302 019, TeleFax : 0141-2211575, Mobile : 9352763720, E-mail : jaipur@jslmogar.com
- **Lucknow** : Allia Cottage, opp. Leela Hotel 119/76, Kandhari Bazar, Lucknow-226001(UP). TeleFax:0522-2626393, Mobile : 9335411076, E- mail: lucknow@jslmogar.com
- **Mumbai** : 102, Narsinha Sadan, 1st Road, Golibar, Santacruz (E) Mumbai-400 055. Ph. : 022-26134403, 26122848, Fax : 022-26100717, Mobile : 9322894461, E-mail: mumbai@jslmogar.com
- **Delhi** : 7, Jantar Mantar Road, 1st Floor, New Delhi-110 001, Ph. :011-23340205, Fax : 011-23340457, Mobile : 9868554076, E-mail : delhi@jslmogar.com

In Keeping with the technological strides the world is making in the engineering field, we introduce changes in the design of our products. Hence, the products as actually supplied might have features varying herefrom.